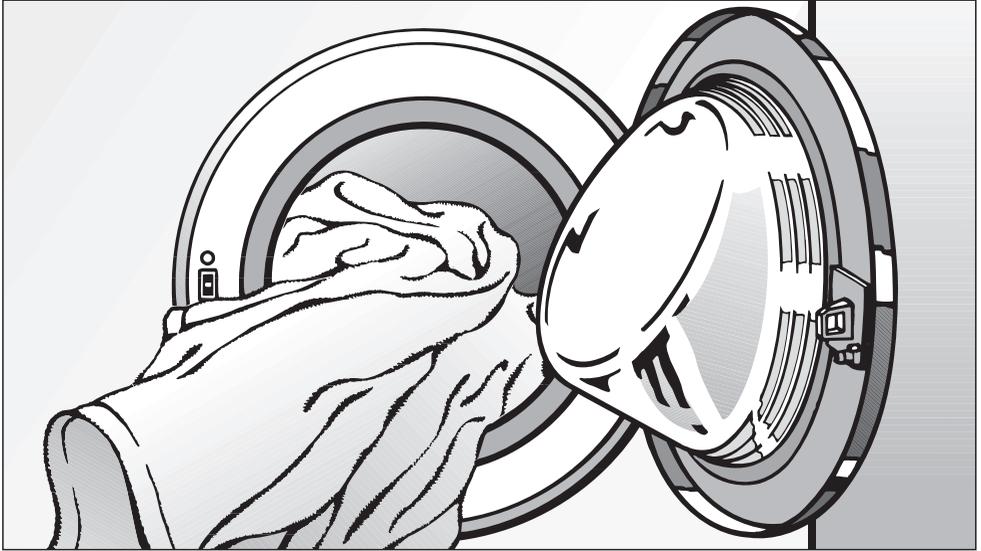


# Miele

## PROFESSIONAL



## Operating manual Washer PW 5065

To prevent accidents  
and machine damage  
read these instructions  
**before**  
installation or use.



M.-Nr. 06 787 080

# Contents

---

|   |    |
|---|----|
| <b>IMPORTANT SAFETY INSTRUCTIONS</b> . . . . .  | 3  |
| <b>Guide to the washer</b> . . . . .  | 6  |
| <b>Before using for the first time</b> . . . . .  | 8  |
| <b>Using the washer</b> . . . . .   | 9  |
| Canceling a program . . . . .   | 14 |
| Changing a program . . . . .  | 14 |
| Adding/removing laundry during a wash program . . . . .   | 15 |
| <b>Program guide</b> . . . . .  | 16 |
| <b>Program sequence</b> . . . . .   | 22 |
| <b>Selecting a spin speed</b> . . . . .   | 24 |
| <b>Delay Start</b> . . . . .  | 25 |
| <b>Detergent</b> . . . . .  | 26 |
| <b>Cleaning and Care</b> . . . . .  | 28 |
| Cleaning the washer . . . . .   | 28 |
| Cleaning the inlet hose filter . . . . .  | 29 |
| <b>Frequently asked questions</b> . . . . .   | 30 |
| Opening the door during a power failure or when the drain is blocked . . . . .                                | 35 |
| Changing the light bulb . . . . .   | 38 |
| <b>After sales service</b> . . . . .  | 39 |
| <b>Installation instructions</b> . . . . .  | 41 |
| <b>Installation</b> . . . . .   | 42 |
| Installation site . . . . .   | 44 |
| Removing the shipping struts . . . . .  | 44 |
| Installing the shipping struts . . . . .  | 46 |
| Leveling the washer . . . . .   | 47 |
| Installation on a base . . . . .  | 48 |
| Water connection . . . . .  | 49 |
| Drainage . . . . .  | 51 |
| Electrical connection . . . . .   | 52 |
| <b>Technical Data</b> . . . . .   | 53 |
| <b>Help to protect the environment</b> . . . . .  | 54 |
| <b>Settings</b>  . . . . . | 56 |
| Suds cooling . . . . .  | 56 |
| <b>Menu Settings - Supervisor level</b> . . . . .   | 59 |

# IMPORTANT SAFETY INSTRUCTIONS

---

Read the operating instructions before using this machine for the first time. They contain important information about the safety, use and maintenance of the machine. Doing so will prevent injury and damage to the dryer.

Save these instructions and pass them on to any future user.

## **WARNING - To reduce the risk of fire, electric shock or injury:**

### **Technical Safety**

■ Check the packaging, the washer and accessories for any signs of damage. Do not use a damaged appliance.

■ Before connecting the machine, ensure that the connection data on the data plate (circuit protection, voltage and frequency) match the mains electrical supply. If in doubt contact an electrician.

■ The appliance must be grounded. It is imperative that this basic safety requirement be met.

■ Do not connect the appliance to the mains electrical supply with an extension cord. Extension cords do not guarantee the required safety of the appliance (e.g. danger of overheating).

■ The machine is built in accordance with current safety requirements. Incorrectly repaired machines may pose a considerable risk to the user which is not covered by the manufacturer. Repairs should only be performed by a Miele approved technician.

■ Ensure power is not supplied to the appliance while maintenance or repair work is being performed. The machine is only completely isolated from the electrical supply when it is turned off at the main switch and the plug is pulled or by tripping the circuit breaker.

■ Connect the washer, to the water mains. Do not use old hoses. Inspect the intake hoses regularly for damage. They should be replaced as needed to prevent water damage.

■ Faulty components must only be replaced with genuine Miele spare parts to maintain safety standards.

■ If the power cord is damaged it must only be replaced by a Miele Service technician with a genuine Miele power cord.

# IMPORTANT SAFETY INSTRUCTIONS

---

## Use

Only use the washing machine to wash items which are specified by the manufacturer to be machine washable on the fabric care label. Any other applications may cause undesirable results. The manufacturer cannot be held responsible for damage caused by improper use of the appliance.

This appliance is not designed for maritime use or for use in mobile installations such as recreational vehicles or aircraft. However, under certain conditions it may be possible for installation in these applications. Please contact the Miele Technical Service Department with specific requirements.

Do not install this machine in rooms where temperatures below freezing may occur. Frozen hoses may burst under pressure. The reliability of the electronic control unit may be impaired at temperatures below freezing.

Do not wash articles that have been previously cleaned, washed soaked or spotted with gasoline, organic substances dry-cleaning solvents, or any other flammable substances. These articles give off vapors that could ignite or explode. Do not add these items to the washload.

Before using the machine for the first time, check that the shipping struts at the rear of the machine have been removed (see "Installation"). If the shipping struts are still in place during spinning, damage may result to both the machine and adjacent furniture or appliances.

Turn off the water supply if the machine is to be left for any length of time (e.g. vacation).

**Overflow hazard!**  
Check that the drain can accommodate the water flow before operating the washer. Make certain the drain hose is secured in the drain, otherwise the force of the expelled water could cause the drain hose to come out of the drain.

Be sure that foreign objects (e.g. nails, pins, coins, paper clips) do not find their way into the machine. These items may damage the machine, which may also cause damage to the laundry.

# IMPORTANT SAFETY INSTRUCTIONS

---

■ If the correct amount of detergent is dispensed, the machine should not need to be descaled. If the washer needs to be descaled, use a descaling agent with corrosion protection. These special descaling agents can be purchased from the Miele Service department. Use as directed.

■ Never use solvent based cleaning agents in this machine, this may result in damage and create toxic fumes. They will present a fire and explosion hazard.

■ Items which have been pre-treated in solvent based cleaning agents must be thoroughly rinsed in clean water before being washed in the machine.

■ Only use dyes specified by the manufacturer as being suitable for use in a washing machine. Use as directed by the manufacturer.

■ Dye removers may contain sulphur compounds which cause damage such as corrosion. Do not use dye removers in this machine.

■ The drum door glass will be hot when washing at very high temperatures. Do not touch the glass. Danger of burns!

■ The stainless steel casing must not come in contact with liquid cleaning or disinfection agents containing chlorine. They may cause corrosion. Do not store open containers of this agent next to the machine.

## Children

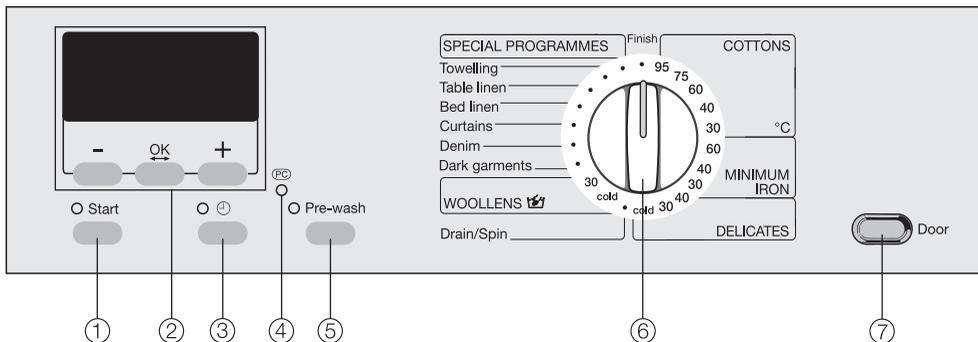
■ Close supervision is necessary when the appliance is used near children. Do not allow children to play on or in the appliance.

## Using accessories

■ Accessories must only be installed once approved by Miele. Installing unapproved parts may void the warranty and product liability.

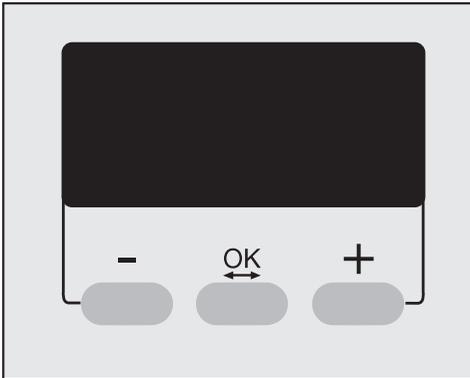
# Guide to the washer

## Control panel



- ① **"Start" button**, with indicator starts the selected wash program.
- ② **Display with -, "OK" and + buttons** allows more info to be seen on the following screens.
- ③ **⌚ Delay Start button**, with indicator
- ④ **PC Indicator/Optical interface** allows a service technician to check and update the wash programs
- ⑤ **Pre-wash button**, with indicator
- ⑥ **Program selector** to select a wash program. The program selector can be turned clockwise or counterclockwise.
- ⑦ **"Door" button** to open the drum door.

## Display



### - / + buttons

To change the component highlighted in the display.

- decreases the value or moves the marker up
- + increases the value or moves the marker down.

### "OK" button

To confirm the selected value and to select the next component.

When selecting a program:

- the special programs,
- the final spin speed,
- the temperature of some programs, and
- the delay start

are shown in the display.

The display also shows the running time of the wash program and the current time of day.

Additionally the menu "Settings 

" can be accessed by the display.

## Temperature conversions

| Celsius | Fahrenheit |
|---------|------------|
| 95°C    | 203°F      |
| 75°C    | 167°F      |
| 60°C    | 140°F      |
| 40°C    | 104°F      |
| 30°C    | 86°F       |

## Before using for the first time

---

The appliance must be correctly installed and connected before the first use. Please see the "Installation instructions".

For safety reasons, it is not possible to run a spin cycle before the first use.

The Welcome screen shows when the machine is turned on for the first time.



Miele  
PROFESSIONAL  
Welcome

The welcome screen will not show anymore, once the total wash time of the machine exceeds one hour.

### Reminder of the shipping struts

The shipping struts must be removed before using the machine for the first time to avoid damage.

- Confirm that the shipping struts have been removed by pressing OK.

### Setting time of day



12:00

Set the time of day

- Set the hours with the +/- buttons and confirm with OK.
- Repeat to set the minutes and confirm.

The display shows the main menu.

### First wash

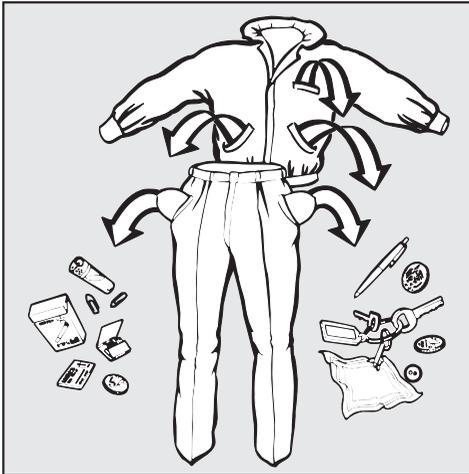
The washer is ready for the first use.

A program must be run **without laundry and detergent** to flush out any residual water from the factory testing process, as well as to activate the spin cycle.

- Turn the program selector to "Cottons 60°C" (140°F).
- Open the water mains.
- Press the "Start" button.

Once the program ends the washer can be used for laundry.

## 1. Sort the laundry



- Empty all pockets.

⚠ Foreign objects left in pockets (e.g. nails, coins, paper clips, etc.) can cause damage to clothes and the machine.

- Pre-treat stains.

Tough stains (blood, egg, coffee, tea etc.) or badly soiled areas (collars and cuffs) should be penetrated with a stain remover or a paste made from powder detergent and warm water. Dab stains with a damp light colored cloth. Do not rub!

⚠ Do not use chemical solvents in the machine.

- Sort the laundry.

## General tips

- Dark fabrics often bleed the first few times they are washed. They should be washed separately several times before being included in a mixed load.
- Remove any lead weights or strips from curtains before washing.
- Loose underwires should be removed or sewn in place before washing.
- Woolens and knitted garments should be turned inside out.
- Close zippers and hooks and eyes before washing.
- Comforter covers and pillowcases should be fastened in order to prevent small items from getting trapped inside of them.

Do **not** machine wash items if it is not recommended on the fabric care label.

# Using the washer

---

## 2. Load the laundry

- Open the drum door using the "Door" button.

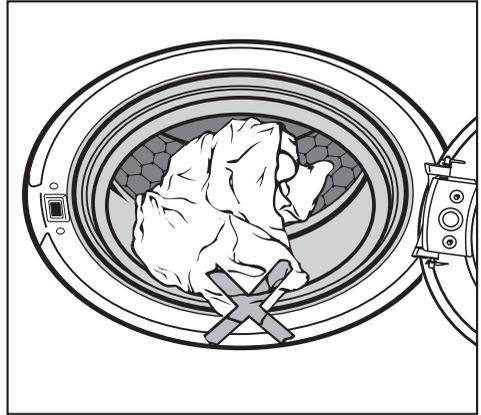
The drum light switches on.

- Load the laundry loosely into the drum.

For best results, wash mixed loads of small and large items. This will improve washing effectiveness and help distribute the load evenly.

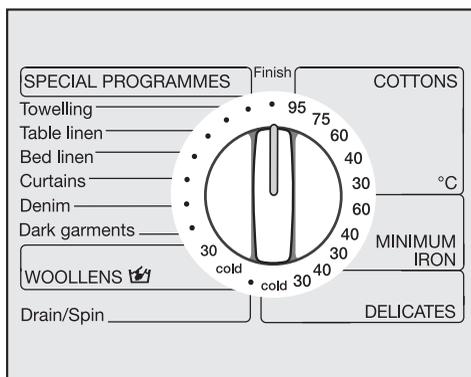
**Note:** Overloading the washer will affect wash results and cause wrinkling.

- Close the drum door.



To prevent damage to the door seal and clothing, make sure that there is nothing caught between the drum door and the seal.

## 3. Select a program

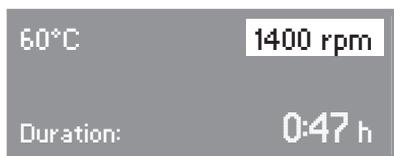


- Select a program and the desired temperature with the program selector.

The display shows the selected wash program.



The display switches to the program selection.

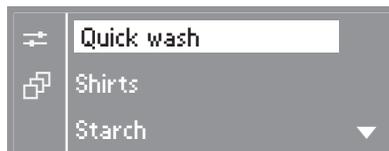


- To change the highlighted spin speed use the **+/-** buttons. Confirm with "OK".

The temperature can also be changed in some programs.

- Hold down the "OK" button until the temperature is highlighted.
- Adjust the temperature with the **+/-** buttons.

When selecting "Special programmes" the display shows the list.



- Select the desired program with the buttons **+/-** and confirm with OK.

The display switches to the program selection.



- To change the highlighted temperature use the **+/-** buttons. Confirm with "OK". The display then switches to the spin speed.

### Pre-wash

- Select a Pre-wash for heavily soiled laundry.

If the additional function "Pre-wash" cannot be selected, it is not available for this wash program.

### Delay Start

- Select a delayed start if desired. See "Delay Start".

# Using the washer

## 4. Adding detergent

Use detergent according to the laundry soiling and water hardness.

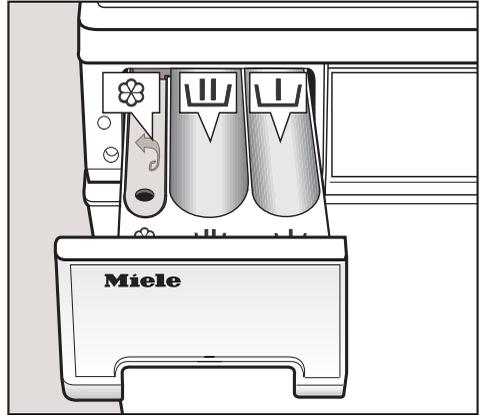
### Too little detergent may cause:

- ineffective cleaning of laundry; fabrics may become gray and stiff over time.
- grease stains on the laundry.
- hard water deposits on the heating element.

### Too much detergent may cause:

- oversudsing with minimal drum movement; poor wash, rinse and spin results.
- higher environmental burden.

See "Detergent" for more information.



- Pull out the detergent dispenser drawer and add detergent.

 = Detergent for the main wash

 = Only add detergent ( $\frac{1}{4}$  of the total recommended amount of detergent) to this compartment for the pre-wash.

 = Fabric softener or liquid starch.

- Close the detergent dispenser drawer.

## 5. Starting a program

### Coin mechanism

If the machine is coin operated, please regard the displayed request to pay.

If the door is opened after a program has started or if the program is canceled the credit is lost.

"Start" flashes when a program can be started.

- Press the "Start" button.

The "Start" button indicator lights.

The drum light turns off after the program starts.

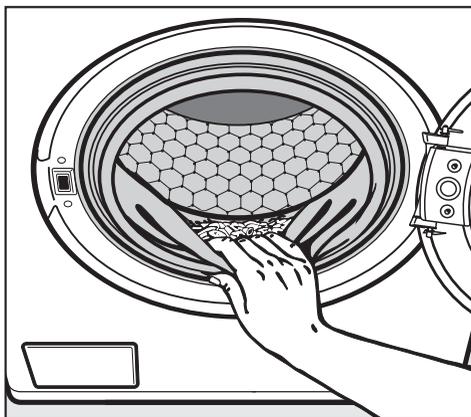
The display shows the likely program duration unless delay start was selected. It will count down in minutes. The first 10 minutes the washer calculates the water absorbency of the laundry. The overall program time may be shortened or lengthened.

Additionally the sequence cycle is displayed. The washer shows the current program step.

## 6. At the end of a program

The anti-crease program starts when the laundry is not immediately removed from the washer after the program ends. "Anti-crease" and "End" will flash alternately in the display.

- Press the "Door" button to open the drum door.
- Remove the laundry.



- Check the folds of the door seal for any small articles which may have been trapped.

Check the drum for any missed pieces of laundry. Items inadvertently left in the washer may get damaged (e.g. shrink or discolor) during the next wash cycle.

- Turn the program selector to "Finish".
- Close the drum door.

# Using the washer

---

The program will be locked 3 minutes after the program has started when the washer is operated with a coin mechanism. Canceling or changing a program is no longer possible.

## Canceling a program

A program can be canceled any time after a program has started.

- Turn the program selector to "End".

The washer drains the wash water away and the program is canceled.

- Press the "Door" button.
- Remove the laundry.  
or
- Close the door and start a new program.

## Changing a program

### To change a program

A program change is not possible after a program has started.

To select a different program, the started program must be canceled.

### Adjusting the temperature

Some programs allow you to change the temperatures up to 5 minutes after the start.

- Press OK.

The temperature is highlighted.

- To change the highlighted temperature use the **+/-** buttons. Confirm with "OK".

### Adjusting the spin speed

- Press OK until the spin speed is highlighted. Adjust the spin speed with the **+/-** buttons. Adjustment is possible until the start of the final spin.

Selection of the "Pre-wash" is not possible after the program has started.

## Adding/removing laundry during a wash program

You can interrupt some programs to add or remove a piece of laundry.

- Press the "Door" button to open the door.
- Add or remove the piece of laundry.
- Close the drum door.

The program will continue automatically.

### Note

Once the program has started the washer cannot make adjustments to the load size.

After adding or removing laundry, the washer will default to the water and electrical consumption of a full load.

The program running time may be lengthened.

### The drum door cannot be opened if:

- the water temperature is greater than **130°F (55°C)**.
- the water level is too high.
- the program has reached the "Final Spin".
- the program is locked because the washer is operated with a coin mechanism.

## Program guide

| <b>COTTONS 95° to 30°C (203°F to 86°F)</b>       |   |     |
|--|---|--|
| Items  | Items of cottons, linens or mixed fabrics.  |  |
| Tips   | <ul style="list-style-type: none"> <li>– Use COTTONS 95°C to sanitize laundry or for heavily soiled items.</li> <li>– Wash dark colored fabrics with detergent for colors or a liquid detergent.</li> </ul> |  |
| Detergent  | Universal or color detergent  |  |
| Load size  | 14.3 lb (6.5 kg)  |  |
| <b>MINIMUM IRON 60°C to 30°C (140°F to 86°F)</b> |   |      |
| Items  | Synthetics, mixed fabrics or wrinkle free cottons.  |  |
| Detergent  | Universal or color detergent  |  |
| Load size  | 7.7 lb (3.5 kg)   |  |
| <b>DELICATES 40°C to cold (104°C to cold)</b>    |   |    |
| Items  | Delicates made from synthetics, mixed fabrics or silk   |  |
| Tip  | Wash items containing wool in the woolens program   |  |
| Detergent  | Detergent for delicates   |  |
| Load size  | 5.5 lb (2.5 kg)   |  |
| <b>Towelling 60°C to 40°C (140°F to 104°F)</b>   |   |  |
| Tip  | Use color detergent for dark colored laundry  |  |
| Detergent  | Universal detergent   |  |
| Load size  | 12 lb (5.5 kg)  |  |
| <b>Table linen 75°C to 60°C (167°F to 140°C)</b> |   |  |
| Items  | Table cloths and napkins made of cottons, linens or mixed fabrics.  |  |
| Tip  | Use the "Pre-wash" program for tough stains. Use a Pre-wash detergent with enzymes.   |  |
| Detergent  | Universal detergent   |  |
| Load size  | 14.3 lb (6.5 kg)  |  |

| <b>Bed linen 60°C to 40°C (140°F to 104°F)</b>   |  |
|--|--|
| Items  | Bed linens made of cottons or mixed fabrics.   |
| Tip  | Use color detergent for color items  |
| Detergent  | Universal or color detergent   |
| Load size  | 14.3 lb (6.5 kg)   |
| <b>Curtains 40°C to cold (104°C to cold)</b>   |  |
| Items  | Curtains which are machine washable according to the manufacturer.   |
| Tip  | For curtains which tend to wrinkle select "Without spin".  |
| Detergent  | Universal and color detergent in powder form.  |
| Load size  | 6.6 lb (3.0 kg)  |
| <b>Denim 40°C to cold (104°C to cold)</b>  |  |
| Tips   | <ul style="list-style-type: none"> <li>– Before washing denim items turn them inside out to prevent wear and fading.</li> <li>– Denim items bleed after the first few washes. Wash dark and light colored items separately.</li> </ul> |
| Detergent  | Liquid color detergent   |
| Load size  | 7.7 lb (3.5 kg)  |
| <b>Dark garments 40°C to cold (104°C to cold)</b>  |  |
| Items  | Dark items made of cottons or mixed fabrics.   |
| Tip  | Wash items inside out.   |
| Detergent  | Liquid color detergent   |
| Load size  | 6.6 lb (3.0 kg)  |
| <b>WOOLENS  30°C to cold (86°F to cold)</b> |  |
| Items  | Items made from washable wool and mixed woollens.  |
| Detergent  | Detergent for wool   |
| Load size  | 5.5 lb (2.5 kg)  |
| <b>Drain/Spin</b>  |  |
| Tip  | <p>Drain only: Select "Without spin".</p> <p>When spinning be sure to select an appropriate speed for the fabric type.</p>   |
| Load size  | 14.3 lb (6.5 kg)   |

## Program guide

| Special programs   |   |
|--|---|
| <b>Quick wash 40°C (104°F)</b>   |   |
| Items  | Small load of lightly soiled items, which can be washed in "COTTONS"  |
| Detergent  | Universal or color detergent  |
| Load size  | 7.7 lb (3.5 kg)   |
| <b>Shirts 60°C to 40°C (140°F to 104°F)</b>  |   |
| Items  | Shirts and dress shirts.  |
| Tip  | Pre-treat collars and cuffs if they are more soiled than usual.   |
| Detergent  | Universal or color detergent  |
| Load size  | 5.5 lb (2.5 kg)   |
| <b>Starch</b>  |   |
| Tip  | The laundry (table cloths, napkins, etc.) should be washed but not treated with fabric softener.              |
| Starch   | Liquid starch or powder starch  |
| Load size  | 14.3 lb (6.5 kg)  |
| <b>Pillows 95°C to 40°C (203°F to 104°F)</b>   |   |
| Items  | Washable pillows with a filling of feathers, down or synthetics.  |
| Tips   | Follow the information on the fabric care label.  |
| Detergent  | Use liquid detergent.   |
| Load size  | 1 queen or 2 twin size pillows  |
| <b>Outerwear 40°C to cold (104°C to cold)</b>  |   |
| Items  | Outdoor clothing made of micro fiber.   |
| Tips   | <ul style="list-style-type: none"> <li>– Close all zippers.</li> <li>– Do not use fabric softener.</li> </ul> |
| Detergent  | Use liquid detergent.   |
| Load size  | 6.6 lb (3.0 kg)   |

| <b>Proofing 40°C to 30°C (104°F to 86°F)</b> |   |
|--|---|
| Items  | To treat micro fiber, ski clothing, fine dense cotton or table cloths to make them water repellent and soil resistant.  |
| Tip  | <ul style="list-style-type: none"> <li>– The item should be washed and spun or dried.</li> <li>– To get an optimum result heat-treat the items in a clothes dryer or by ironing them.</li> </ul>  |
| Water repellent                              | <ul style="list-style-type: none"> <li>– Only use a water repellent that is "Suitable for membrane textiles". They are based on fluorochemicals.<br/> <b>Do not use agents containing paraffin.</b></li> <li>– Place the liquid detergent insert in compartment  and fill with water repellent.</li> </ul> |
| Load size                                    | 6.6 lb (3.0 kg)   |
| <b>Extra Rinse</b>                           |   |
| Items  | For items only to be rinsed and spun.   |
| Load size                                    | 14.3 lb (6.5 kg)  |

## Program guide

---

Additional special programs can be accessed in the menu "Settings - Supervisor level". Contact Miele technical service to access these programs.

| <b>Intensive Wash 60°C to 40°C (140°F to 104°F)</b> |  |
|---|--|
| Items   | Heavily soiled cottons, linen or mixed fabrics   |
| Detergent   | Universal or color detergent   |
| Load size   | 14.3 lb (6.5 kg)   |
| <b>Flour 95°C to 40°C (203°F to 104°F)</b>          |  |
| Items   | Jackets, hats, rags made of cotton or mixed fabrics  |
| Tips  | <ul style="list-style-type: none"><li>– An additional pre-rinse is added to the program automatically.</li><li>– Use a Pre-wash detergent with enzymes.</li><li>– Use the "Flour +" program for heavy soiling.</li></ul> |
| Detergent   | Universal detergent  |
| Load size   | 14.3 lb (6.5 kg)   |
| <b>Grease and fat 95°C to 40°C (203°F to 104°F)</b> |  |
| Items   | Jackets, hats, rags made of cotton or mixed fabrics  |
| Tips  | <ul style="list-style-type: none"><li>– Use a Pre-wash detergent with enzymes.</li><li>– Use "Grease and fat +" for heavy soiling.</li></ul>   |
| Detergent   | Universal detergent  |
| Load size   | 14.3 lb (6.5 kg)   |
| <b>Towels short 40°C (104°F)</b>                    |  |
| Items   | Lightly soiled cotton terry laundry  |
| Tip   | Use color detergent for dark colored laundry.  |
| Detergent   | Universal detergent  |
| Load size   | 12 lb (5.5 kg)   |

| <b>Towels + 60°C to 40°C (140°F to 104°F)</b>  |   |
|--|---|
| Items  | Lightly soiled cotton terry laundry   |
| Tip  | Use color detergent for dark colored laundry  |
| Detergent  | Universal detergent   |
| Load size  | 12 lb (5.5 kg)  |
| <b>Capes 30°C (86°F)</b>   |   |
| Items  | Lightly soiled synthetic capes  |
| Detergent  | Detergent for delicates   |
| Load size  | 6.6 lb (3.0 kg)   |
| <b>Chem. Therm. Dis. 20 min 60°C (140°F)</b>   |   |
| Items  | (Chemothermal Disinfection) Work clothes or disinfection laundry, sorted by colors, which is suitable for disinfection. |
| Detergent  | Disinfection detergent  |
| Load size  | 14.3 lb (6.5 kg)  |
| <b>Hygiene</b>   |   |
| <p>If a temperature lower than 131°F (55°C) was selected for the last wash program or if the program "Drain/Spin" was selected, "Hygiene" is displayed. This ensures that no bacteria is carried over from one laundry cycle to the next.</p>  |   |
| <p>To select a Hygiene program:</p> <ul style="list-style-type: none"> <li>– do not put any laundry into the drum, add a small amount of detergent in compartment  and start the program,</li> </ul> <p><b>or</b></p> <ul style="list-style-type: none"> <li>– select a wash program with a temperature of 60°C or higher.</li> </ul> <p>If neither of the above suggestions are carried out the program will run normally.</p> |   |

## Program sequence

|                        | Main wash   |             | Rinse   |                   | Spin            |            |
|------------------------|---|-------------|---|-------------------|-----------------|------------|
|                        | Water level   | Wash rhythm | Water level   | Rinses            | Rinse spin      | Final spin |
| COTTONS                |    | Ⓐ           |    | 2                 | ✓               | ✓          |
| MINIMUM IRON           |    | Ⓐ           |    | 2                 | ✓               | ✓          |
| DELICATES              |    | Ⓑ           |    | 2                 | –               | ✓          |
| Towelling              |    | Ⓐ           |    | 2                 | ✓               | ✓          |
| Table linen            |    | Ⓐ           |    | 2                 | ✓               | ✓          |
| Bed linen              |    | Ⓐ           |    | 2                 | ✓               | ✓          |
| Curtains <sup>1)</sup> |    | Ⓐ           |    | 3                 | –               | ✓          |
| Denim                  |    | Ⓐ           |    | 3                 | –               | ✓          |
| Dark garments          |    | Ⓐ           |    | 3                 | ✓               | ✓          |
| Woollens               |    | Ⓒ           |    | 2                 | ✓               | ✓          |
| Quick wash             |    | Ⓐ           |    | 2                 | ✓               | ✓          |
| Shirts                 |    | Ⓐ           |    | 2                 | –               | ✓          |
| Starch                 | –   | –           |    | 1                 | –               | ✓          |
| Pillows <sup>2)</sup>  |    | Ⓐ           |    | 3                 | –               | ✓          |
| Outerwear              |    | Ⓑ           |    | 3                 | ✓ <sup>3)</sup> | ✓          |
| Proofing               | –   | –           |   | 1                 | ✓               | ✓          |
| Extra Rinse            | –   | –           |  | 2                 | –               | ✓          |
| Intensive wash*        |  | Ⓐ           |  | 2                 | ✓               | ✓          |
| Flour*                 |  | Ⓐ           |  | 2-3 <sup>4)</sup> | ✓               | ✓          |
| Grease and fat*        |  | Ⓐ           |  | 3                 | ✓               | ✓          |
| Towels*                |  | Ⓐ           |  | 2                 | ✓               | ✓          |
| Capes*                 |  | Ⓑ           |  | 2                 | –               | ✓          |
| Chem. Therm. Dis.*     |  | Ⓐ           |  | 3                 | ✓               | ✓          |

\* = Programs can be added from the "Settings - Supervisor level" when activated by the Technical Service.

See the following page for explanations of symbols and special features.

## Symbols

 = Low water level

 = Medium water level

 = High water level

Ⓐ = Normal wash rhythm

Ⓑ = Gentle wash cycle

Ⓒ = Woolens

The washer is equipped with an electronic control which determines the load size automatically. The washer determines the required water consumption for each load and water absorbency of the laundry. Different program sequences and wash times will result.

The program sequence shown in the chart represents the basic program with a maximum load. Possible "Options" are not considered.

The washer's program sequence display will indicate the current step of the selected wash program.

## Special features in the program sequence:

### Anti-crease:

The drum continues to turn up to 30 minutes after the program has ended to prevent wrinkling. The washer can be opened at any time. Exception: The program "WOOLLENS" has no anti-crease feature.

- 1) Pre-rinse  
To rinse excess soiling, a pre-rinse **without** detergent is automatically added to the program.
- 2) High Spin  
Before the wash program starts, a high spin is carried out to remove the air from the pillows. After the spin the program starts with the water intake.
- 3) In the "Outerwear" program the items will be spun only after the main wash.
- 4) In the program "Flour +" a third rinse is added.

# Selecting a spin speed

| Program                   | max. rpm |
|---------------------------|----------|
| COTTONS                   | 1400     |
| MINIMUM IRON              | 1000     |
| DELICATES                 | 600      |
| Towelling                 | 1400     |
| Table linen               | 1200     |
| Bed linen                 | 1200     |
| Curtains                  | 400      |
| Denim                     | 900      |
| Dark garments             | 1200     |
| WOOLLENS                  | 1200     |
| Drain/Spin                | 1400     |
| Quick wash                | 1200     |
| Shirts                    | 600      |
| Starch                    | 1200     |
| Pillows                   | 1400     |
| Outerwear                 | 900      |
| Proofing                  | 800      |
| Extra Rinse               | 1200     |
| Intensive wash*           | 1400     |
| Flour*                    | 1400     |
| Flour +*                  | 1400     |
| Grease and fat*           | 1400     |
| Grease and fat +*         | 1400     |
| Towels short*             | 1400     |
| Towels +*                 | 1400     |
| Capes*                    | 600      |
| Chem. Therm. Dis. 20 min* | 1400     |

\* = Programs can be added from the "Settings - Supervisor level" when activated by Technical Service.

The final spin speed can be reduced. The speeds shown above are the highest available.

## Rinse spin

The laundry is spun after the main wash and between the rinse cycles. Reducing the final spin speed will also reduce the rinse spin speeds.

### To omit the final spin (Rinse hold)

- Select "Rinse hold". The laundry is not spun and remains soaking in water. This will prevent wrinkles if the laundry is not removed immediately at the end of the wash program.

If the laundry consists of a mixed load, articles which do not require spinning can be removed at this time.

#### – Starting a final spin

- Select a final spin speed with +. The final spin starts.

#### – To finish the program

- Press – or "Door". The water will drain.
- Press the "Door" button to open the door.

### To omit rinse spin and final spin

- Select "Without spin".

The laundry is not spun after the final rinse but the water is drained away. After the drain cycle the washer goes immediately into the anti-crease cycle.

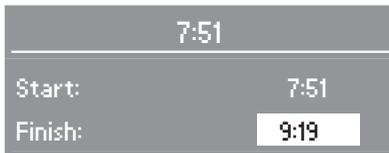
The delay start feature cannot be used when the washer is operated by a coin mechanism.

The delay start feature allows you to start a program at a later time. The program start can be delayed 30 minutes up to 24 hours.

The time of day must be correctly set to allow the delay start feature to function properly.

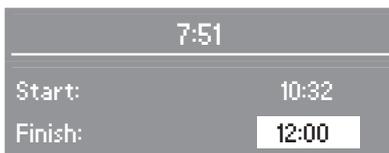
## Setting the delay start

- Press the ⊖ button.



The display shows the current time of day and the resulting end time.

- Select the desired program end time with +.



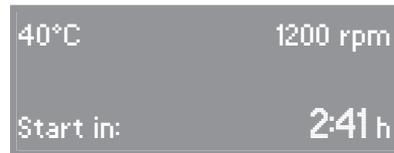
Pressing the button once delays the program end to the next full or half hour. Each touch after that delays it by 30 minutes.

The – button decreases the time.

- Confirm with "OK".

## Starting the delay start

- Press the "Start" button.



The display shows in how many hours and/or minutes the wash program will start.

## Changing the delay start

- Press the ⊕ button.
- Correct the end time of the program with the +/- buttons.
- Confirm with OK.

## Canceling the delay start

- Press the ⊕ button.
- Change the program end time with the – button until the program start matches the current time of day.
- Confirm with OK.

The program starts immediately.

After the program start the actual load size is measured. This may result in an earlier program end time.

# Detergent

---

Only use laundry detergent formulated for front loading washing machines.

For wool and wool blend fabrics use a detergent formulated for wools.

Follow instructions on the detergent packaging for the correct use and amount of detergent.

## **The amount of detergent used depends on the level of soiling:**

### **Light soiling**

No soiling or stains are visible.

### **Normal soiling**

Some visible soiling or a few light stains.

### **Heavy soiling**

Very visible soiling or stains.

The size of the load and the water hardness level in your area have an impact on the amount of detergent necessary to obtain optimum wash results. If you do not know the water hardness level in your area, contact your local water authority.

## **Water hardness**

| Hardness level | Water quality     | Water hardness in gpg (also German hardness in °d) | Water hardness in mmol/l |
|----------------|-------------------|--|--------------------------|
| I              | soft              | 0 - 7  | 0 - 1.3                  |
| II             | moderate          | 7 - 14   | 1.3 - 2.5                |
| III            | hard to very hard | over 14  | over 2.5                 |

## **Water softener**

If the water hardness level is between II and III, you can soften the water to reduce detergent consumption.

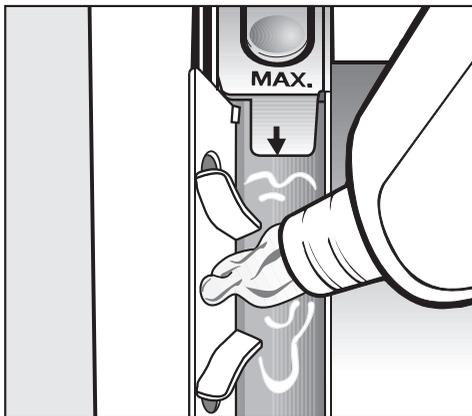
The detergent packaging should indicate the correct amount to use in your machine. Add the detergent, then add the water softener. From then on you can then use the recommended amount of detergent for water hardness level I.

## Fabric softener, liquid starch

Fabric softener added to the wash program will make fabrics feel softer and will reduce static cling in the dryer.

Liquid starch is a synthetic starch wash used to give fabrics some stiffness. Starch can be included in any wash program as part of the final rinse.

## Automatic dispensing of fabric softener or liquid starch



- Add the fabric softener or liquid starch to compartment ☼. **Do not exceed the Max. level mark.**

The softener or liquid starch is automatically dispensed in the final rinse. At the end of the program a small amount of water will remain in the fabric softener compartment ☼.

If you use starch frequently, clean the dispenser compartment and especially the siphon tube and conditioner channel. See "Cleaning the detergent drawer".

## Separate fabric softener

- Add the fabric softener to compartment ☼.
- Select the "Starch" program.
- Press the "Start" button.

## Separate powder starch

- Dispense the amount of starch recommended on the packaging.
- Add starch to compartment U.
- Select the "Starch" program.
- Press the "Start" button.

Never mix fabric softener and starch together in the fabric softener compartment ☼. This will clog the dispenser.

## Dye removers / Fabric dyes

**Do not use dye removers in this washer.**

- When dyeing fabrics in the washer, adhere to the manufacturer's instructions.

## External dispensing

As an option the washer can be set up to an external detergent dosage system. A conversion kit is necessary which can be purchased from Miele Technical Service.

# Cleaning and Care

 Before cleaning the appliance, disconnect the power supply by unplugging the unit or manually tripping the circuit breaker.

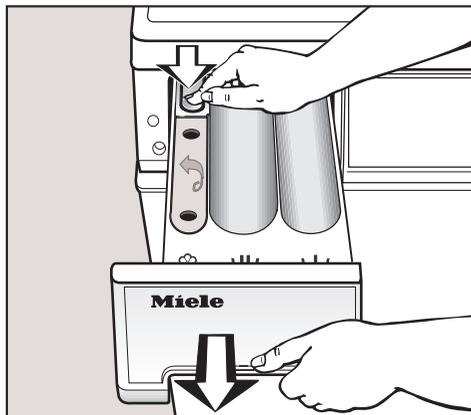
 Do not use chemical solvents, abrasive cleaners, glass or all purpose cleaners. These can damage plastic surfaces and other parts.

## Cleaning the washer

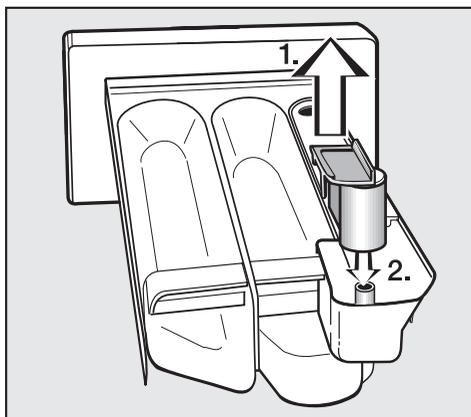
- Clean the exterior of the washer with a mild solution of non-abrasive detergent or soap and water. Wipe dry with a soft cloth.
- Clean the drum with a stainless steel cleaner specially formulated for use in a washing machine.

## Cleaning the detergent drawer

Detergent residue should be cleaned out regularly.



- Pull out the detergent drawer as far as it will go. Press the red release lever down and pull the drawer out of the machine.
- Clean the detergent drawer with warm water.
- Clean the siphon tube.



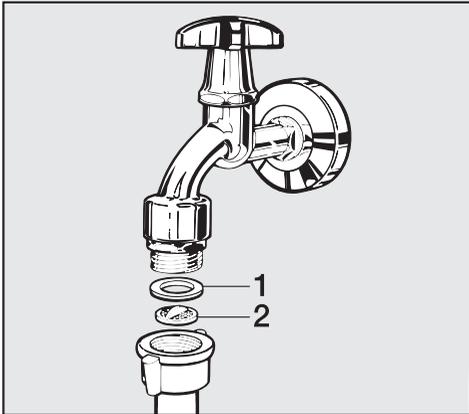
1. Remove the siphon tube from the compartment  and rinse under warm water. Clean the pipe on which the siphon tube is attached.
2. Replace the siphon tube.

## Cleaning the inlet hose filter

The washer has two water inlet filters to protect each inlet valve. Check and clean these filters every 6 months. This may have to be done more frequently with some water supplies.

### Cleaning the inlet hose filters

- Turn off the water faucet.
- Unscrew the inlet hose from the valve by turning the connector counterclockwise using a wrench if necessary.

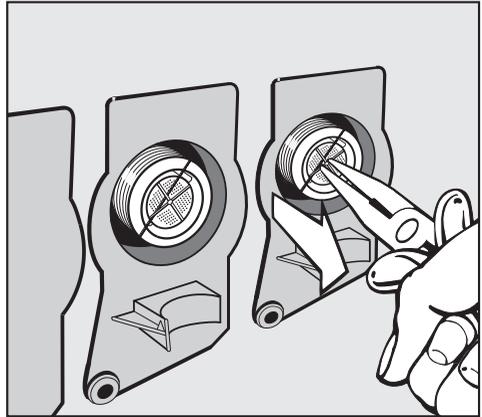


- Remove the rubber seal, **1**, from the connector.
- Using needle nose pliers, grasp the plastic filter, **2**, and pull it out of the hose connector.
- Clean the filter under running water and carefully remove any large particles.
- Replace the filter and seal and reconnect the hose.

Slowly turn on the faucet and check for leaks. If water leaks, tighten the hose connection.

### Cleaning the filter in the inlet valve

- Using pliers carefully loosen and remove the plastic hose connector from the inlet valve.



- Using needle nose pliers, remove the plastic filter by pulling on the bar (see illustration). Rinse under running water and return. Replace the filter and seal then reconnect the hose.

Both filters **must** be put back in place after cleaning.

## Frequently asked questions

---

 Repairs to electrical appliances must only be carried out by a qualified and trained person in accordance with local and national safety regulations. Repairs and other work by unqualified persons could be dangerous. The manufacturer cannot be held responsible for unauthorized work.

The following section will help you avoid placing a service call by identifying issues you may encounter while operating the machine:

| <b>A wash program cannot be started</b>                                    |   |   |
|--|---|---|
| <b>Issue</b>   | <b>Possible cause</b>   | <b>Solution</b>   |
| <b>The display and the program selector remain dark.</b>                   | The washer has no power.  | Possible fault<br>– the washer is connected to the electrical supply,<br>– the circuit breaker has tripped. |
| <b>When selecting the program "Drain/Spin" the program does not start.</b> | The instructions in "Before using for the first time" were not followed.        | Follow the instructions as described in the "Before using for the first time" chapter.                      |
| <b>The display remains off.</b>  | The machine has gone into "Standby" mode. The display shuts off to save energy. | Press any button. The Standby function will end.  |

## Frequently asked questions

| The display shows a fault message   |  |  |
|---|--|--|
| Display message   | Possible cause   | Solution*  |
|  <b>Drainage fault</b>          | <ul style="list-style-type: none"> <li>– The drain is blocked.</li> <li>– The drain hose is too high.</li> </ul> | <ul style="list-style-type: none"> <li>– Clean the drain filter and the drain pump.</li> <li>– The maximum drain pump height is 3 ft (1 m).</li> </ul>                 |
|  <b>Water intake fault</b>      | The water intake/inlet is blocked.   | Possible fault <ul style="list-style-type: none"> <li>– the water valve is closed.</li> <li>– the inlet hose is kinked.</li> <li>– the filters are blocked.</li> </ul> |
|  <b>Drainage lighting fault</b> | The drum light is not locked in position.  | Check that the drum light is correctly fitted.   |
|  <b>Technical fault</b>         | There is a fault.  | Start the program again. If the fault message appears again call Miele's Technical Service Department.   |

\* To cancel an error message, press OK.

## Frequently asked questions

| <b>General problems with the washer</b>   |   |  |
|---|---|--|
| <b>Issue</b>  | <b>Possible cause</b>   | <b>Solution</b>  |
| <b>The washer shakes during the spin cycle.</b>   | <ul style="list-style-type: none"> <li>– The four feet are not resting evenly on the floor.</li> <li>– The floor is not properly reinforced.</li> </ul> | <ul style="list-style-type: none"> <li>– Level the machine (see Installation Instructions).</li> <li>– It is recommended that the machine is installed on a concrete base.</li> </ul>  |
| <b>There are unusual sounds coming from the drain pump.</b>   | There is no fault. Lapping sounds at the beginning and end of the pump process are normal.  |  |
| <b>Large amounts of detergent residue remain in the dispenser drawer.</b>   | <ul style="list-style-type: none"> <li>– The water pressure is too low.</li> <li>– Water softening detergent additives tend to clump.</li> </ul>        | <ul style="list-style-type: none"> <li>– Check and clean the filters in the water inlet hoses.</li> <li>– Clean the detergent drawer. In the future add the detergent first and then the water softener to the compartment.</li> </ul> |
| <b>The fabric softener is not completely dispensed or too much water remains in the  compartment.</b> | The siphon tube is either incorrectly positioned or clogged.  | Clean the siphon tube, see "Cleaning and care - Cleaning the detergent drawer".  |
| <b>The display shows a foreign language.</b>  | A different language was selected under "Settings  .                 | Select the desired language. The flag symbol leads you to the setting.   |

## Frequently asked questions

| <b>Poor wash results</b>   |  |  |
|--|--|--|
| <b>Issue</b>   | <b>Possible cause</b>  | <b>Solution</b>  |
| <b>The laundry does not get clean with liquid detergent.</b>         | Liquid detergents do not contain bleaching agents. Fruit, coffee and tea stains may not be removed.  | <ul style="list-style-type: none"> <li>– Use powder bleach. (Be sure this is suitable according the fabric care labels of the laundry.)</li> <li>– Fill compartment  with powder bleach and use a dispenser ball for the liquid detergent.</li> <li>– Never put liquid detergent and bleach together in the same wash compartment.</li> </ul> |
| <b>Laundry has a gray sticky residue.</b>                            | <ul style="list-style-type: none"> <li>– Not enough detergent was used to dissolve greasy deposits in heavily soiled laundry.</li> <li>– The laundry was soiled with grease (oils, lotions).</li> </ul>  | <ul style="list-style-type: none"> <li>– Add more detergent to laundry with grease stains or use a liquid detergent.</li> <li>– Run a 140°F program with liquid detergent to clean the washer before using it for laundry again.</li> </ul>  |
| <b>There is white detergent residue on dark laundry.</b>             | The powder detergent was not completely dissolved because of hard water. These residues are difficult to remove.   | <ul style="list-style-type: none"> <li>– After drying, remove white residues with a clothes brush.</li> <li>– In the future, use liquid detergent.</li> </ul>  |
| <b>Items with greasy soiling are not clean after a wash program.</b> | <ul style="list-style-type: none"> <li>– Add a Pre-wash to the program. Use liquid detergent for the pre-wash.</li> <li>– Use a powder detergent for the main wash. Use detergent which is specially formulated for heavily soiled work clothes. Contact the detergent manufacturer for more information.</li> </ul> |  |

## Frequently asked questions

---

### The door will not open when the "Door" button is pressed

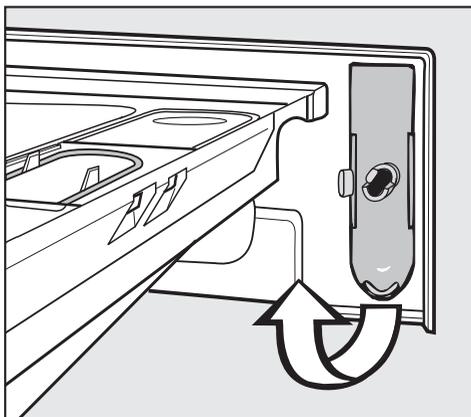
| Issue   | Solution  |
|---|---|
| <b>The washer has no power.</b>   | Insert the plug into the outlet and check that the circuit breaker has not tripped.   |
| <b>Power failure</b>  | To open the drum door, see "Frequently asked questions - Opening the drum door during a power failure...".                                |
| <b>The door was not properly closed.</b>  | Push the drum door on the locked side. Then press the "Door" button.  |
| <b>There is still water in the drum and the washer cannot drain it away.</b>  | Clean the drain filter and the drain pump as described in "Frequently asked questions - Opening the drum door during a power failure...". |
| As a safeguard against scalding, the drum door cannot be opened if the wash water temperature is over 130°F (55°C). |   |

## Frequently asked questions

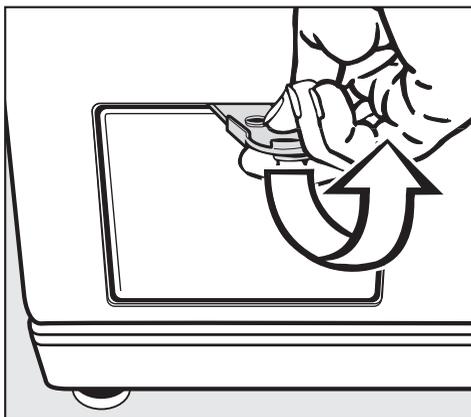
### Opening the door during a power failure or when the drain is blocked

 Disconnect the machine from the power supply.

- Open the detergent dispenser drawer.



- Remove the tool.



- Open the lint trap door.

### Machines with a drain pump

If the main drain hose is clogged, water will be retained in the machine (**max. 6.5 gal [30 l]**).

 **Caution:** If laundry has been washed at a high temperature, the water draining out of the machine will still be hot! Stop and allow it to cool before proceeding.

- Place a 2 quart capacity container under the drain tube.

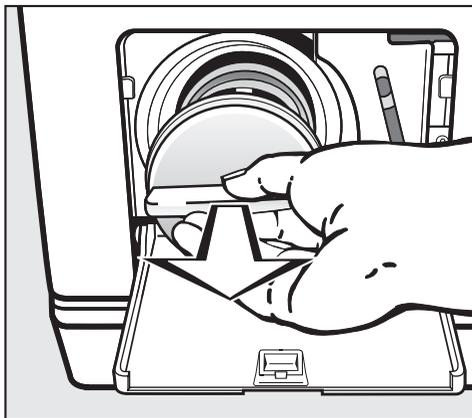


- Turn the lint trap lid counterclockwise. **Do not remove it.** About 2 quarts of water will drain out of the hose.

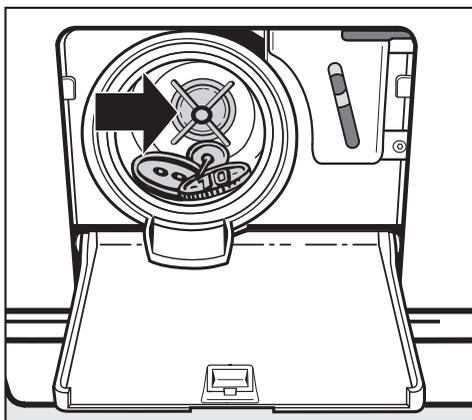
If additional water remains in the machine, tighten the lint trap lid and empty the container. Repeat as necessary.

## Frequently asked questions

Once the flow of water stops:



- Remove the lint trap lid.

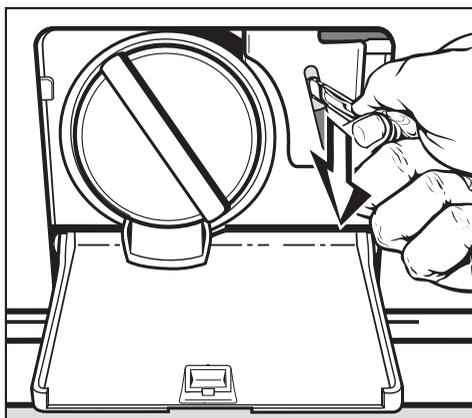


- Remove any foreign objects or lint from the filter.
- Check that the impeller (in the back of the chamber) rotates freely by spinning it with your hand.
- Return the lint trap lid and tighten into place.

If the drain filter is not tightened securely water will leak out when the machine is used.

## Open the drum door

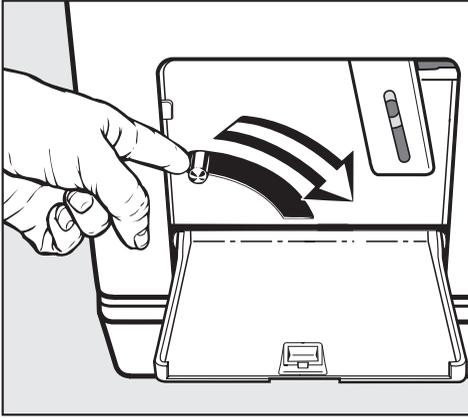
 Always make sure the drum is stationary before reaching into the drum to remove laundry. A moving drum is extremely dangerous.



- Insert a screwdriver into the notch, beside the lint trap, pull it down. The door will now open.

## Frequently asked questions

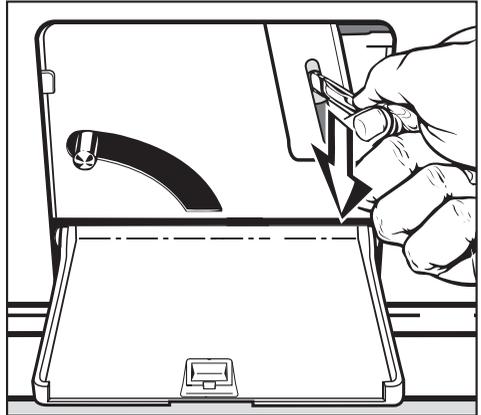
### Machines with a drain valve



- Press the lever for the emergency drain down and hold until you hear no more water running out.

### Open the drum door

 Always make sure the drum is stationary before reaching into the drum to remove laundry. A moving drum is extremely dangerous.



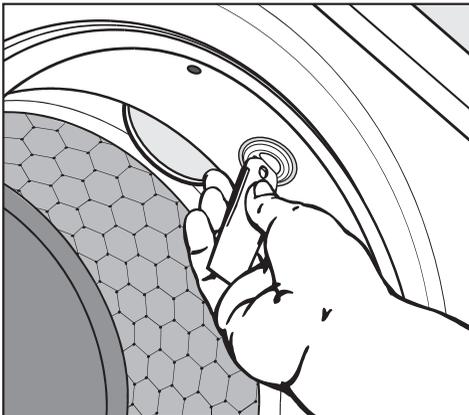
- Insert a screwdriver into the notch, beside the lever, pull it down. The door will now open.

# Frequently asked questions

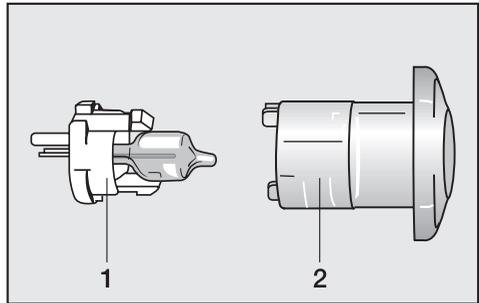
## Changing the light bulb

The machine will not operate if the light bulb is burnt out.

- Disconnect the power supply to the work area by unplugging the unit, tripping the circuit breaker or removing the fuse.
- Open the detergent dispenser drawer. Remove the tool from the rear side of the panel.
- Open the drum door.



- Insert the tool into the slit of the light bulb, turn counterclockwise until resistance is felt.
- Pull out the drum lighting.



- Press together the hooks of the plastic fitting, **2**, to separate it from the bulb, **1**.
- Replace the bad light bulb with a new one.

A replacement bulb can be obtained by contacting Miele.

The light bulb must not exceed the maximum wattage listed on the data plate.

- Insert the light bulb into the plastic fitting.
- Insert the drum lighting in the socket and turn clockwise.

To use the washer it is absolutely necessary to have the light bulb properly installed.

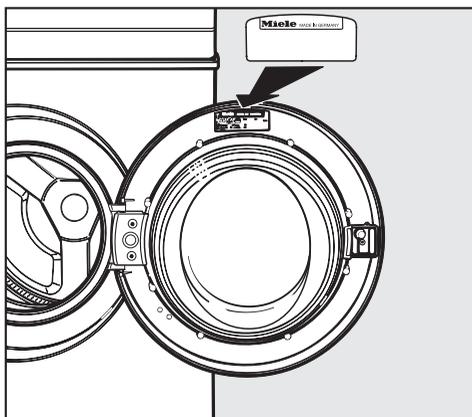
## Repairs

In the event of a fault which you cannot fix yourself, please contact the Miele Technical Service Department.

**(USA)** 1-800-999-1360  
techserv@mieleusa.com

**(CDN)** 1 800 565-6435  
service@miele.ca

When contacting the Technical Service Department, please quote the model and serial number of your appliance. Both can be found on the data plate visible above the front glass on the inside of the door.



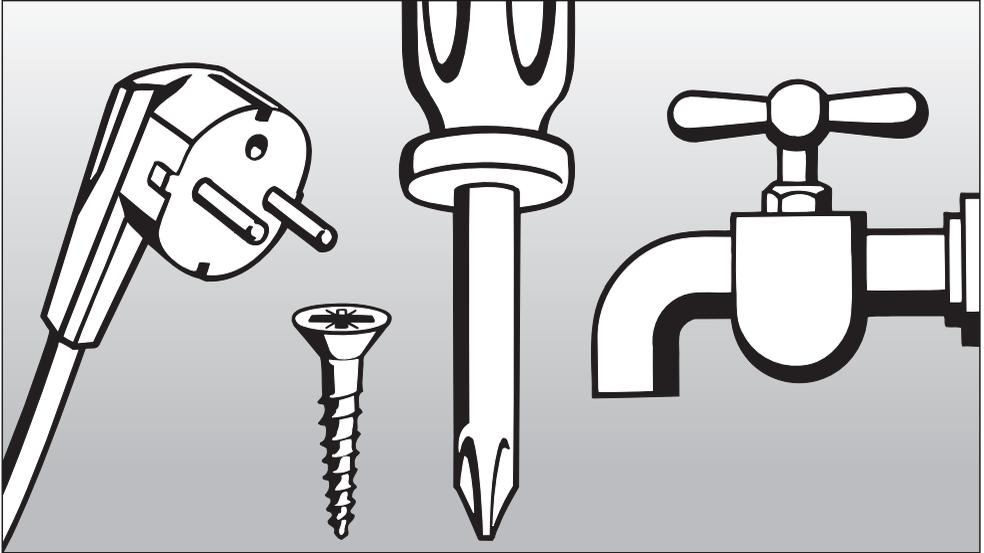
## PC Update

The indicator marked PC allows a technician to make use of new technology if new programs are developed or new fabrics are introduced.

## Optional accessories

Optional accessories are available at your Miele dealer or Miele.





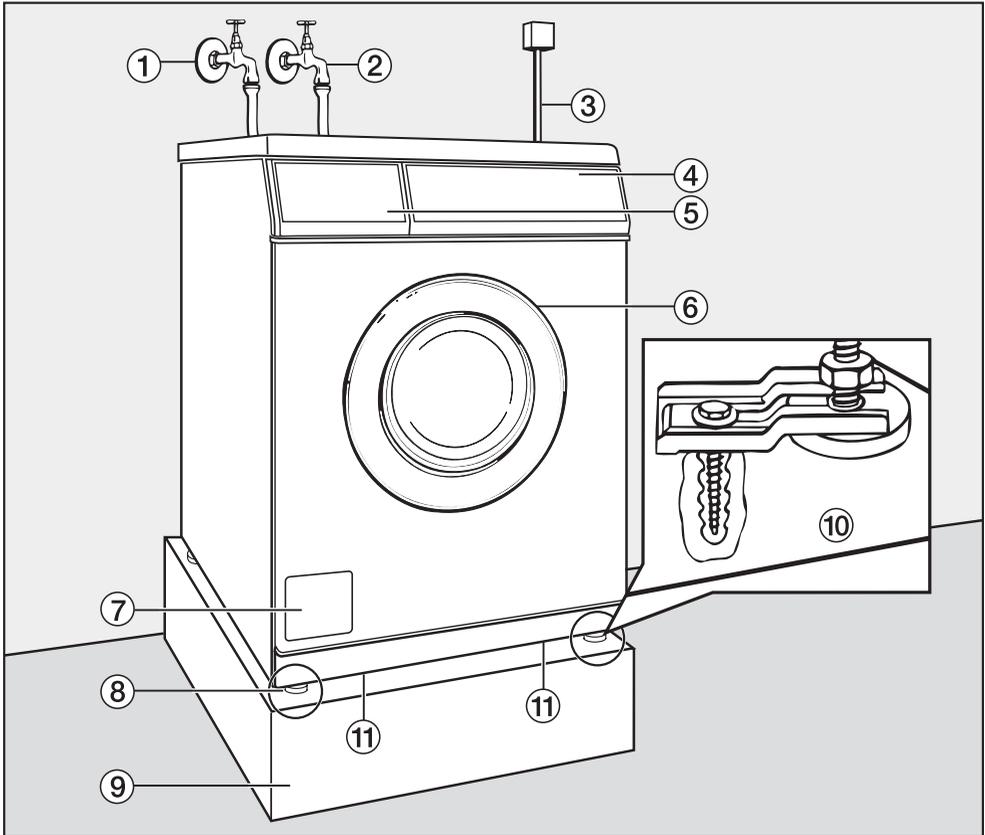
## Installation Instructions

To prevent accidents  
and machine damage  
read these instructions

**before**  
installation or use.

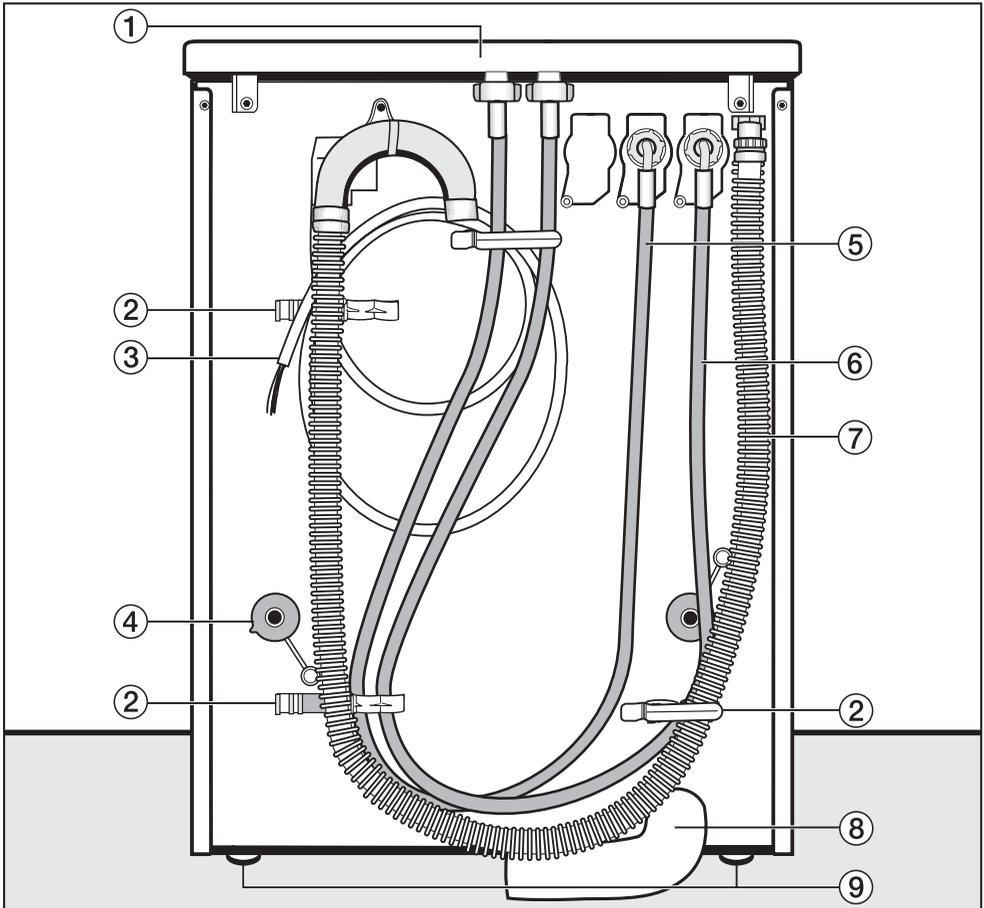
# Installation

## Front view



- ① Water intake hose hot
- ② Water intake hose cold
- ③ Electrical connection
- ④ Control panel
- ⑤ Detergent dispenser drawer
- ⑥ Drum door
- ⑦ Access panel to drain filter, drain pump and emergency door release
- ⑧ Height adjustable feet
- ⑨ Stand
- ⑩ Retaining clips (for concrete stand)
- ⑪ Recessed grip

## Rear view



- ① Lid with transport grips
- ② Mounting for:
  - Water intake hose
  - Drain hose
  - Withdrawn shipping struts
- ③ Power cord
- ④ Shipping struts with rotary protectors
- ⑤ Water intake hose (cold)
- ⑥ Water intake hose (hot)
- ⑦ Drain hose for drain pump
- ⑧ Drain hose for drain valve
- ⑨ Height adjustable feet

# Installation

## Installation site

The washer cannot be built-in.

⚠ Do not install the machine directly next to or over an open floor drain or drain channel. Moisture can penetrate the machine and damage electrical parts.

A concrete floor is the most suitable surface for the washer. Concrete floors are less prone to vibration during the spin cycle than wooden floors.

⚠ If the machine is installed on a masonry or concrete base it **must** be secured with retaining clips to prevent the washer from vibrating off the stand during the spin cycle.

- The machine must be leveled and securely positioned.
- To avoid vibration while spinning, the machine should **not be installed** on soft floor coverings.

In case the installation must be on a wooden joist floor:

- Install the unit on a  $27 \frac{9}{16}'' \times 23 \frac{5}{8}'' \times 1 \frac{3}{16}''$  (70 x 60 x 3 cm) plywood base. Ideally the base should be large enough to span several joists and should be anchored to the joists and not just the floor boards.

It is best to install the washer in the corner of a room, where the stability of the floor is at its greatest.

## Installation

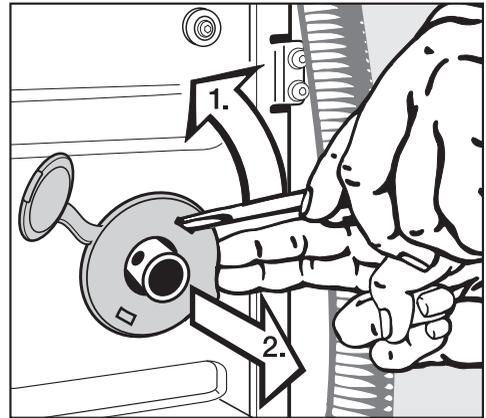
- Use the front washer feet and the rear excess end to transport the washer from its shipping pallet to the installation site.

**Do not lift the washer by the drum door.**

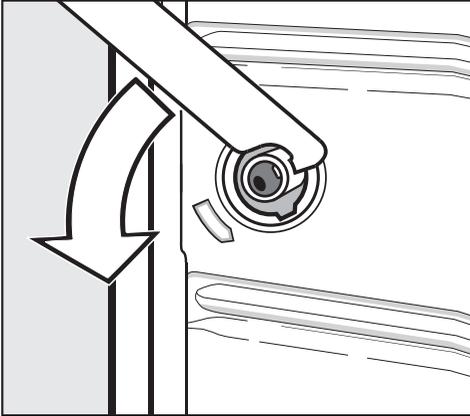
⚠ Ensure that the machine's feet and the floor are dry to prevent slippage during the spin cycle.

## Removing the shipping struts

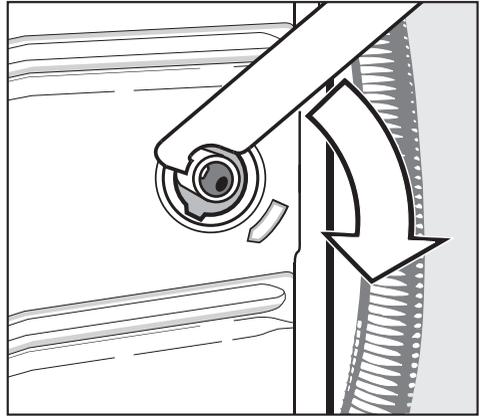
- Remove the left and right rotary protectors.



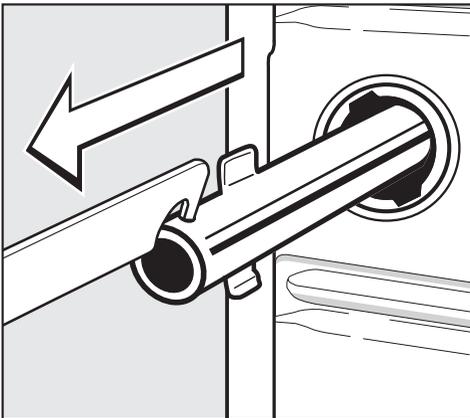
1. Unhook the rotary protector with a screw driver.
2. Remove the rotary protectors.



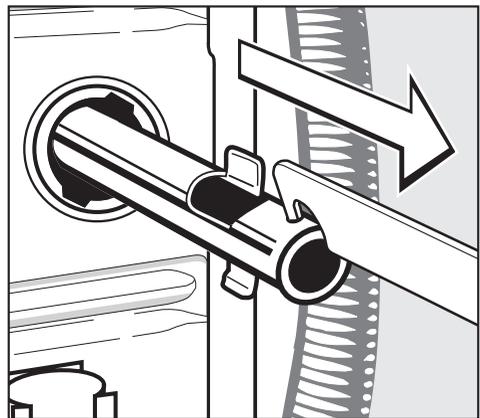
- Turn the left shipping strut counterclockwise 90° with the enclosed combination wrench.



- Turn the right shipping strut counterclockwise 90° with the enclosed combination wrench.

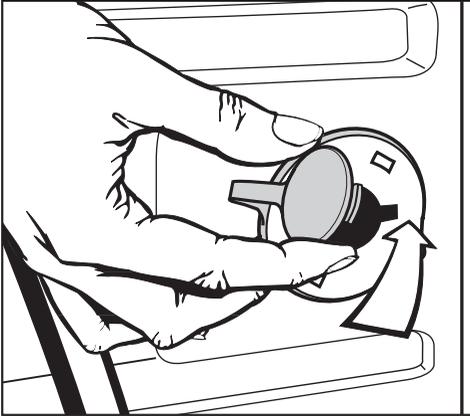


- Pull the shipping strut out.



- Pull out the shipping strut out.

# Installation

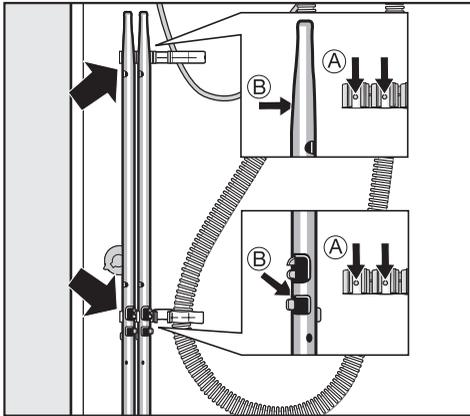


 Movement of the washer without the shipping struts in place should be kept to a minimum. The shipping struts should be stored on the back of the washer for future use. They must be reinstalled before moving the machine.

## Installing the shipping struts

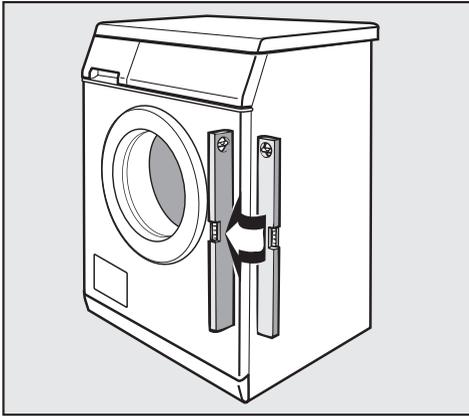
- Reinstall the struts by reversing the installation procedure.

- Close the holes with the rotary protectors and their caps.



- Fasten the shipping struts at the rear side of the washer. Take care to insert the drill holes, **(B)**, into the clamps, **(A)**.

## Leveling the washer

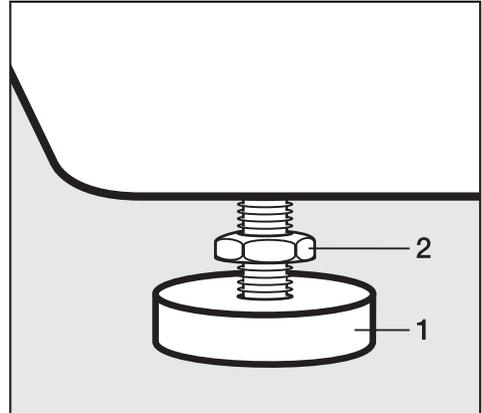


To ensure smooth operation the washer must be level.

Failure to level the machine can result in increased water and energy consumption as well as the washer "banging" during the spin cycle or "walking" across the floor during use.

## Adjust the four leveling feet

The washer is leveled by adjusting the four feet. The machine is boxed with the feet completely screwed in.

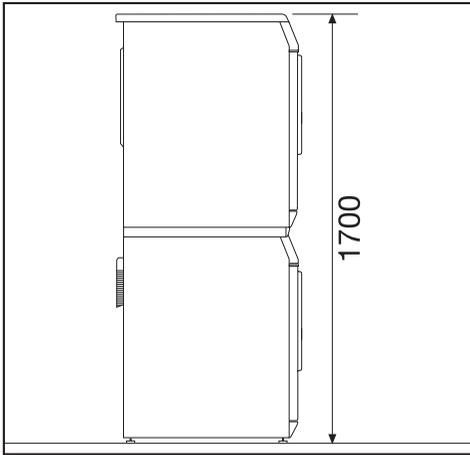


- Turn the locking nut, **2**, counter-clockwise with the enclosed combination wrench. Unscrew each of the four feet as much as necessary by turning both the foot, **1**, and the locking nut, **2**, to the left.
- Check that the machine stands level.
- Once level, hold the foot, **1**, steady with a wrench. Turn the locking nut, **2**, with the combination wrench towards the machine.

 All four locking nuts must be tight against the bottom of the machine. In addition, check to see that the feet were not inadvertently unscrewed while tightening the nuts. Running a machine that is not level or whose feet are not tight may cause damage to both the machine and its surrounding area.

# Installation

## Washer/ Dryer Stack



### Height:

Stacking kit with pull out shelf  
66 <sup>15</sup>/<sub>16</sub>" (1700 mm)

The Miele washing machine can be installed as part of a washer-dryer stack in combination with a Miele tumble dryer. An appropriate stacking kit\* is required.

Installation of the stacking kit must be performed by a Miele Service Technician.

### Reinstallation of the machine lid

When reinstalling the appliance lid, check the firm fit of the cover at the rear bracket for a safe transport of the dryer.

## Installation on a base

The machine can be installed on an open or closed steel base, or on a concrete base. Concrete is recommended.

- Secure the two front feet of the washer with the supplied retaining clips when installing on a concrete base.
- Read the supplied Installation manual.

## Coin mechanism

The dryer can be equipped with a coin mechanism\*.

The reprogramming necessary for the coin mechanism must be done by a Miele Service Technician.

Empty the coin mechanism regularly. Coins or tokens may get jammed.

Do not install devices to automatically turn the washer off, e.g. a clock timer.

\* Available from your Miele dealer or Miele.

## Water connection

### Cold water connection

A water faucet with  $\frac{3}{4}$ " threat must be provided on-site. If none is available the machine must be connected to a water line by a qualified plumber.

The water pressure must be between 14.5 -145 psi (1 -10 bar). If the water pressure is greater than 145 psi (10 bar), a pressure reducer must be installed. If the water pressure is below 15 psi (1 bar), there will not be enough water available for a complete fill.

The cold water hose (blue mark) is **not** suitable for a hot water connection.

- Connect the cold water intake hose (blue mark) to the cold water valve.
- Turn on the valve(s) and check for leaks.

The water intake hoses are equipped with screen filters. Do not remove these filters except for cleaning.

## Maintenance

Replace the water hoses only with genuine Miele hoses.

### Extension hoses

Extension hoses (8' 2" or 13' [2.5 m or 4 m]) may be obtained from Miele.

# Installation

---

## Hot water connection

Connecting the machine to a hot water supply will lead to low electrical consumption during hot water operation. The hot water temperature at the water faucet must not exceed 158°F (70°C).

The water in single water lines from the hot water source cools faster when not in constant use. To heat the wash water more electricity must be used. The same conditions for the hot water as for the cold water connection will then apply.

- Connect the hot water intake hose (red mark) to the water faucet.

The connection of the machine to a hot water line only, is not possible for functional reasons.

If the washer is not to be installed for hot water connection, the settings "Main wash", "Pre-wash" and "Rinses" must be adjusted respectively. The hot water intake hose must be removed.

- Select in "Settings - Supervisor level" the respective options "cold".

The program times may be extended.

- Unscrew the hot water intake hose (red mark).
- Screw on the supplied stopper.

## Drainage

There are two drainage options for this machine:

### Drain valve

The machine is drained with a motorized drain valve. A connection can be made to an on-site floor drain (gully with an air gap) on an angle.

### Drain pump

The wash water is drained using a pump with a 3 ft (1 m) delivery height. Make sure there are no kinks in the drain hose. The elbow on the end of the drain hose can be turned or removed if necessary.

### Possible connections:

- 1. Directly into a sink:** Hook the hose over the edge of the sink and secure it firmly (e.g. by tying the hose to the water faucet).
- 2. To a stand pipe:** Place the drain hose into a 1<sup>1</sup>/<sub>2</sub>" (4 cm) stand pipe and secure it firmly.
- 3. To a floor drain:** The machine is equipped with an air gap/ anti-siphoning system so that no minimum drain height is required.

If necessary the drain hose can be extended up to 16' 5" (5 m). The hose extension can be purchased from your Miele dealer or Miele.

The drain pump must be replaced for drain heights over 3 ft (1 m). The maximum allowable drain height is 5 ft 11 in (1.8 m). A stronger pump for these heights can be purchased from your dealer or Miele.

# Installation

---

## Electrical connection

 This installation should be performed by an experienced and qualified technician, in accordance with local codes and regulations.

The washer comes with a power cord without a plug.

The machine is supplied as standard for connection to a 208 V, 60 Hz, 20 A, 2-phase electrical supply\*.

For extra safety it is advisable to install a residual current device (RCD) with a trip current of 30 mA.

The machine must only be connected to the voltage and frequency shown on the data plate.

 \*To convert the machine to another electrical connection, please read the converting manual on the wiring diagram inside the washer. The conversion must be performed by a Miele Service Technician. Additionally the "Heating level" setting must be adjusted.

 Do not install devices to automatically turn the washer off, i.e. a clock timer.

If the machine is hard wired, two 20 A circuit breakers must be provided on-site. Switches with a contact gap of more than 3 mm are valid as separators. All components must be CSA or UL approved.

## Technical Data

|   |   |
|---|---|
| Height  | 33 <sup>7</sup> / <sub>16</sub> " (85 cm)   |
| Width   | 23 <sup>7</sup> / <sub>16</sub> " (59.5 cm) |
| Depth   | 28 <sup>3</sup> / <sub>8</sub> " (72 cm)    |
| Depth with the door open                                | 44 <sup>1</sup> / <sub>8</sub> " (112 cm)   |
| Weight  | 236 lb (107 kg)                             |
| Maximum floor load                                      | 2778 Newton (approx. 278 kg)                |
| Capacity  | 13.2 lbs (6.5 kg) dry laundry               |
| Fuse rating   | see data plate                              |
| Rated load  | see data plate                              |
| Fuse rating   | see data plate                              |
| Noise level during spinning<br>(Noise emission 3. GSGV) | < 70 dB(A)                                  |
| Minimum water flow pressure                             | 14.5 psi (1 bar)                            |
| Maximum water pressure                                  | 145 psi (10 bar)                            |
| Length of intake hose                                   | 5'3" (1.6 m)                                |
| Length of power cord                                    | 5'3" (1.6 m)                                |
| Drain height maximum (Drain pump)                       | 3'3" (1 m)                                  |
| Light bulb for drum light                               | Type G4 (5 Watts/12 Volt)                   |

# Help to protect the environment

---

## **Disposal of the packing materials**

The cardboard box and packing materials protect the appliance during shipping.

To prevent suffocation of children ensure that any plastic wrapping, bags, etc. are disposed of safely and kept out of the reach of children.

Please recycle.

## **Disposal of an old appliance**

Old appliances may contain materials that can be recycled. Please contact your local recycling authority about the possibility of recycling these materials.

Ensure that the appliance presents no danger to children while being stored for disposal. Before discarding an old appliance, unplug it from the outlet, cut off its power cord and remove any doors to prevent hazards.

## Menu Settings to adjust standard settings

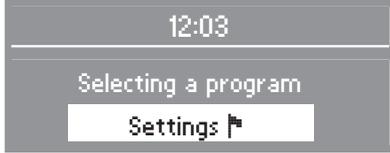
The washer controls can be adjusted to changing demands through the settings menu.

# Settings

## Accessing the "Settings"

- Turn the program selector to "Finish".

The main menu shows.



- Confirm with OK.
- The "Settings" menu is selected.



- Set the desired setting with the buttons +/- and confirm with OK.

## Leaving the Settings menu

- Select "Back" and confirm with OK.  
The display shows the main menu.

## Language

The display contents can be shown in different languages.

The displayed language can be changed by the sub-menu "Language .

The flag behind the word "Language 

The selected language is marked with a check.

If the language setting was changed, it is only valid for the current wash program. Once the program ends, the display will show the language which is set under "Settings - Supervisor level".

## Suds cooling

Cold water is added at the end of the main wash to cool the wash water.

The wash water cooling is carried out when a wash temperature of 158°F (70°C) or more is selected.

The wash water cooling should be activated when the drain hose is hung into a sink, to prevent scalding

The wash water cooling is factory set "on".

## Time of day

This selection allows the clock to be shown as 24 hours, 12 hours or not at all. The time of day is also set here.

If the clock is not selected the delay start can only be shown as a 24 hour timer. The display will show the timer counting down until the start of the program but not the current time of day.

### Selecting the clock display

- Select the desired clock display and confirm.

The display shows the clock setting.

### Set the time of day

- Set the hours with the buttons **+/-** and confirm with OK. Repeat with setting the minutes and confirm. The display changes to "Settings".

## Display contrast

The contrast of the display can be set at ten different levels.

It is factory set to Setting 4.

The contrast changes immediately when a different level is selected.

## Display brightness

The brightness of the display can be set at ten different levels.

It is factory set to Setting 5.

The brightness changes immediately when a different level is selected.

## Standby

The display goes out after 10 minutes and the "Start" button flashes slowly to save energy.

Two options can be selected:

### On

The display will go into standby mode:

- if no program is selected after the machine is turned on.
- after a program has started.
- at the end of a program.

### **Not in current prog. (factory default)**

The Standby function will be turned on if no program was selected after the machine was turned on.

By turning the program selector or pressing any button the display is turned on again.

## Memory

The Memory function remembers the addition of an extra feature to a program, a change in spin speed or the temperature the next time that program is selected.

Once the wash program is selected again the washer shows the saved options.

The Memory function is factory set to "off".

# Menu Settings - Supervisor level

The menu "Settings - Supervisor level" has to be "activated" by a Miele service technician or dealer.

The menu "Settings" (except Language ) is locked with a code to prevent unwanted access.



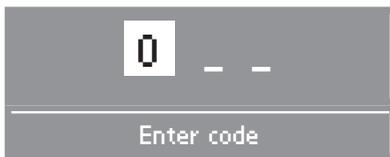
- Select the "Supervisor level" and confirm.



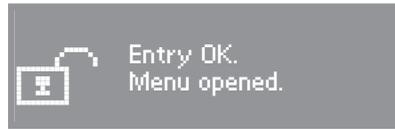
- Select the code and confirm.

## Entering the code

A three digit code must be entered. On delivery the code is: **0 0 0**.



- Enter the first digit with the + button. Confirm with OK.
- Enter the second and third digit. Confirm each with OK.



The user is now in the supervisor level. The following settings can now be changed.

Change the code to prevent unwanted access to the settings.

# Menu Settings - Supervisor level

---

## Language

The display contents can be shown in different languages.

The fixed language selection can be set in the sub-menu "Languages ".

- Select the desired language and confirm with OK.

## Supervisor level

The access code for the operator level can be changed.

- Enter the old code.
- Enter the new code.

Once the new code is confirmed, the beginning of the "Settings" menu will appear.

## Auto load control

If the Auto load control is turned off the program will run as if for a full load.

The machine comes factory set with this option "on".

## Pre-wash water

The water type (hot/cold) for the pre-wash can be selected (except for the program "Curtains"). The hot water intake will be only accessible at a wash temperature of 86°F (30°C) or higher.

The machine comes factory set with water type "hot".

## Main wash water

The water type for the main wash can be selected (except for the programs "WOOLLENS" and "Curtains"). The hot water intake will only be accessible at a wash temperature of 86°F (30°C) or higher.

The machine comes factory set with the water type "hot" selected.

If the washer is not connected to hot water, the program running times will be extended and vary from the displayed remaining times.

# Menu Settings - Supervisor level

---

## Rinse water

The water type for the rinse cycle can be selected for the "COTTONS" and "MINIMUM IRON" programs. The hot water intake will be only accessible at a wash temperature of 122°F (50°C) or higher.

The machine comes factory set with the water type "hot" selected.

## Low Water Pressure

With generally low water pressure (under 100 kPa) this option can be activated to obtain better water intake.

The machine comes factory set with this option "off".

## COTTONS water level

The program "COTTONS" allows you to increase the water level for the main wash.

The machine comes factory set with the option Block Parameter selected. (The water level will be controlled according to the factory set program data.)

## MINIMUM IRON water level

The program "MINIMUM IRON" allows you to increase the water level for the main wash.

The machine comes factory set with the option Block Parameter selected. (The water level will be controlled according to the factory set program data.)

## Temperature pre-wash

For the programs "COTTONS" and "Grease and fat +" the pre-wash temperature can be selected.

The machine comes factory set with the option Block Parameter selected. (The temperature will be controlled according to the factory set program data.)

## Pre-wash duration

The wash time for the pre-wash can be extended.

The machine comes factory set with the option Block Parameter selected. (The wash time will be controlled according to the factory set program data.)

## COTTONS duration

The program "COTTONS" allows you to extend the wash time for the main wash.

The machine comes factory set with the option Block Parameter selected. (The wash time will be controlled according to the factory set program data.)

# Menu Settings - Supervisor level

---

## MINIMUM IRON duration

The program "MINIMUM IRON" allows you to extend the wash time for the main wash.

The machine comes factory set with the option Block Parameter selected. (The wash time will be controlled according to the factory set program data.)

## Special programs list

Special programs can be added to the program selection.

Option 1: The programs Quick wash, Shirts, Starch, Pillows, Outerwear and Proofing are shown. (Factory set)

Option 2: In addition to option 1 "Intensive wash" is offered.

Option 3: In addition to option 1 "Flour", "Flour +" and "Grease and fat" are offered.

Option 4: In addition to option 1 "Grease and fat" and "Grease and fat +" are offered.

Option 5: In addition to option 1 "Towels short", "Towels +" and "Capes" are offered.

Option 6: In addition to option 1 "Chem. Therm. Dis." (Chemothermal Disinfection 20 minutes 60°C) is offered.

## Hygiene

If a temperature lower than 140°F (60°C) was selected for the last wash program "Hygiene" is displayed.

The machine comes factory set with this option "off".

## Pre-wash

For the programs "COTTONS" and "MINIMUM IRON" pre-wash can be permanently added.

If the pre-wash is permanently selected, the indicator of the pre-wash button lights.

The machine comes factory set with the option "Menu selection" activated.

## COTTONS rinses

The program "COTTONS" allows you to change the number of rinses.

2 rinses (factory set)  
3 rinses  
4 rinses  
5 rinses

## MINIMUM IRON rinses

The program "MINIMUM IRON" allows you to change the number of rinses.

- 2 rinses (factory set)
- 3 rinses
- 4 rinses

## Pre-rinse COTTONS

The program "COTTONS" allows a pre-rinse of the laundry.

The machine comes factory set with this option turned off.

## Pre-rinse MINIMUM IRON

The program "MINIMUM IRON" allows a pre-rinse of the laundry.

The machine comes factory set with this option turned off.

## Spin - free of charge

When operated by a coin mechanism, the program "Spin" can be offered free of charge.

The machine comes factory set with this option turned off.

## External dosage

The washer is set for connection to an external detergent dosage system. To use the external dosage system the setting must be adjusted/set accordingly.

The machine comes factory set with this option turned off.

## Leaving the Settings menu

- Press "back" and confirm with OK. The display shows the main menu.

When contacting the Technical Service,  
please quote the model and serial number  
of your appliance.

---



**Miele, Inc.** (USA)

**National Headquarters**

9 Independence Way  
Princeton, NJ 08540  
Phone: 800-843-7231  
609-419-9898  
Fax: 609-419-4298  
[www.miele.com](http://www.miele.com)

**Technical Service & Support  
Nationwide**

Phone: 800-999-1360  
Fax: 888-586-8056

**Miele Limited** (CDN)

**National Headquarters**

55G East Beaver Creek Road  
Richmond Hill, ON L4B 1E5  
Phone: 800-643-5381  
905-707-1171  
Fax: 905-707-0177  
[www.miele.ca](http://www.miele.ca)  
[info@miele.ca](mailto:info@miele.ca) (general enquiries)  
[professional@miele.ca](mailto:professional@miele.ca) (commercial enquiries)

**Mielecare National Service**

Phone: 800-565-6435  
905-850-7456  
Fax: 905-850-6651  
[service@miele.ca](mailto:service@miele.ca) (Tech. Service)